

# OL IS-1800H

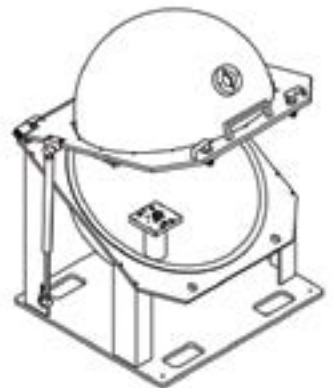
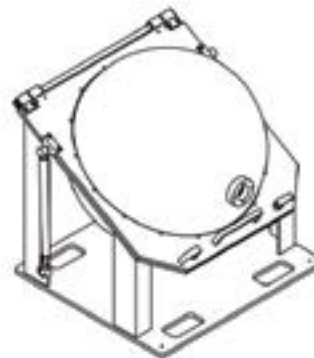
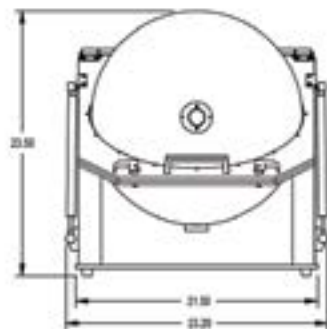
*18-Inch Integrating Sphere with Vertical Opening*

The OL IS-1800H 18-inch Integrating Sphere consists of a hinged sphere assembly, an exit port, an auxiliary lamp, and an internal baffle port. The exit port has a coated internal baffle that eliminates any non-integrated light from exiting it and holds a removable filter. The auxiliary lamp port also has a coated baffle, which helps to integrate the output of the lamp to the sphere. The complete assembly is mounted in a sturdy aluminum frame. The internal surface and both baffles are coated with Optronic Laboratories' Optolon 2 high reflectance coating.



Unlike its predecessor, the OL IS-1800, which opens horizontally, the OL IS-1800H is equipped with a vertical opening. As a result of the design change, the sphere footprint is substantially smaller. Additionally, the horizontally-mounted seam allows for an optional port to be placed on top of the hemisphere for testing downlights.

<b>SPHERE DIAMETER</b> .....	18 Inches (45.7 cm)
<b>SPHERE COATING</b> .....	Optolon 2
<b>REFLECTANCE (Visible Range)</b> .....	> 98%
<b>WAVELENGTH RANGE</b> .....	300 - 2500 nm
<b>EXIT PORT (Single)</b> .....	1.75 Inches Aperture (4.45 cm)
<b>AUXILIARY LAMP PORT (Single)</b> .....	1.375 Inches Diameter (3.5 cm)
<b>AUXILIARY LAMP</b> .....	30 Watt, Type DZA
<b>MAXIMUM LAMP LENGTH</b> .....	12 Inches (30 cm)
<b>MAXIMUM LAMP WATTAGE</b> .....	150 Watts
<b>DIMENSIONS</b> .....	See Outline Drawings Below
<b>WEIGHT</b> .....	50 lbs (22.7 kg)



**Data Sheet: B131 Dec 2020 | Rev A**

As part of our policy of continuous product improvement, we reserve the right to change specifications at any time.